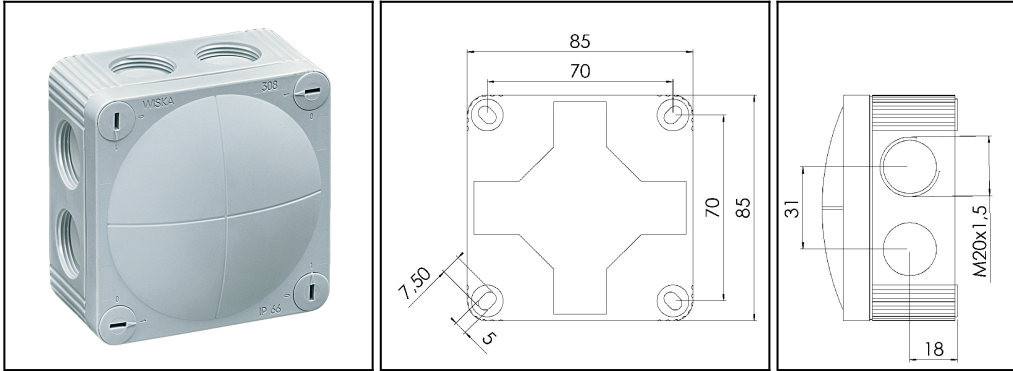


COMBI 308



Protection class to EN 60 529:

Flame protection:

Temperatures during installation:

Temperature range of material:

Voltage:

Material:

Terminals/poles:

Fixing:

Equipment:

IP 66

Glow wire test 750 C acc. to EN 60695-2-11

-5°C to 60°C

-30°C to 100°C, intermittent up to approx. 120°C

400 V

Polypropylene, reinforced glass fibre; Sealing: thermoplastic elastomere

4 mm²

With mounting clip or 4 internal openings outside of the sealing area

8 elastic self-sealing membranes for cable entry without mechanical devices

- 8 integrated M 20 threads, no locknuts necessary

- 4 captive quick-release lid screws

- Incl. mounting clip for snap-on fixing

- Colour RAL 7035 light grey

- .../S = black

- .../W = white

- .../DR = grey box with red cover

- .../ESKV = incl. 3 pcs. ESKV M 20 (*Sealing range 6 - 13 mm)

Accessories:

- DN 48: screwing sleeves for fixing profile rails,

- DIN RAIL KIT 108, 308: Rail TS 15 + Fixing material

- EC 308 Earthing plate

- Adapter 308/1210

Type



L x B x H
external/außen
mm

COMBI 308

5/100

3 - 12



85 x 85 x 51